

UBC

# ThunderBikes

## Sponsorship Package 2026



THE UNIVERSITY OF BRITISH COLUMBIA

Engineering Design Teams  
Faculty of Applied Science



# Who We Are



Founded in 2018, UBC ThunderBikes is the University of British Columbia's student-led electric motorcycle design team. We are dedicated to designing, building, and racing sustainable electric motorcycles that embody innovation and excellence. Competing in races around the world, including the prestigious AHRMA eMotoRacing series, we showcase the potential of electric vehicles on an international stage. This season, our team comprises nearly 60 passionate members from various disciplines.

## Our Vision

---

To design and manufacture sustainable electric motorcycles that push the boundaries of engineering and performance. We strive to provide a collaborative and inclusive environment where team members can foster creativity, develop technical skills, and cultivate leadership qualities. Our goal is not only to compete but to excel in international competitions, demonstrating the capabilities of electric motorcycles.

## Our Mission

---

To be a top-performing design team that empowers the next generation of engineers to embrace sustainable engineering solutions. Through our commitment to excellence, innovation, and teamwork, we envision a world where electric motorcycles are accessible, affordable, and widely adopted for a cleaner, greener tomorrow.

# AHRMA Formula Lightning Race 2024

The AHRMA Formula Lightning Race is a premier zero-emissions motorcycle racing competition, featuring electric motorcycles developed by collegiate and private teams. It promotes innovation in sustainable transportation technologies, advancing electric vehicle performance and showcasing cutting-edge engineering solutions for a greener future.

## Super Motorsport-24

The SM24 was our second-generation electric racing motorcycle and marked a significant milestone as our first-ever fully designed and built competition bike. We achieved our long-term goal of racing at the AHRMA Formula Lightning Race at New Jersey Motorsports Park in Summer 2024.



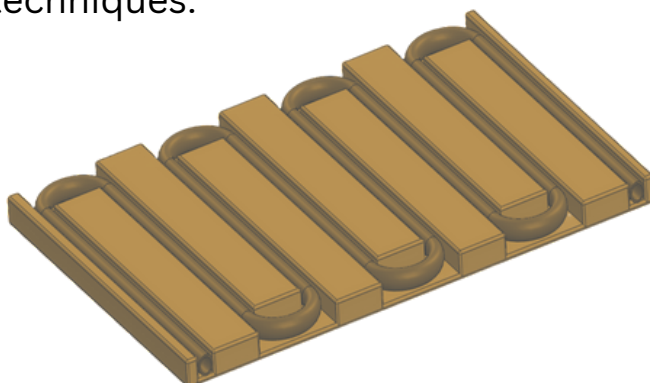
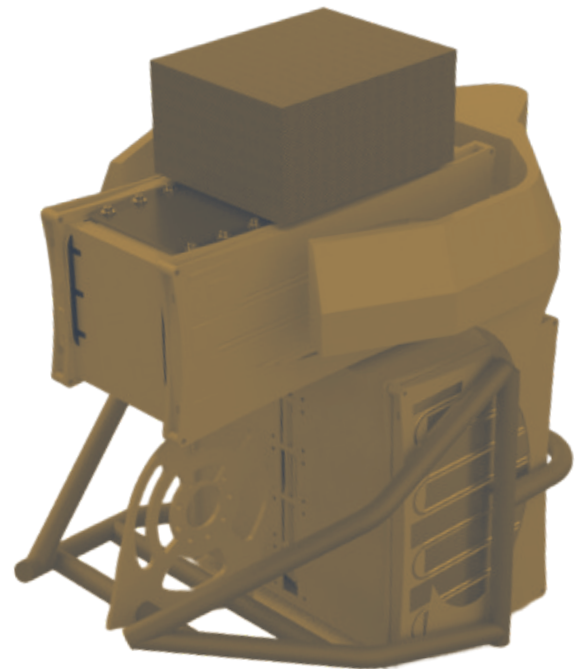
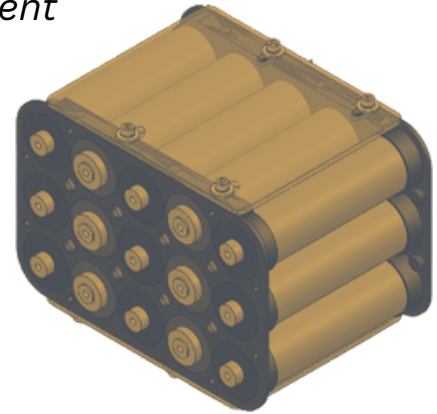
The UBC ThunderBikes team was honored with **Most Unique Bike Award** at the Talbott Classic Bike Show in 2024 and the **Best Design Award** in the Formula Lightning category at AHRMA 2024

# Our Future Plans

## MotoStudent & SM25

*Building on the successes and lessons of the 2024 season, UBC ThunderBikes is preparing to compete in MotoStudent IX, an international engineering and racing challenge that pits university teams from around the world against one another to design, build, and race electric motorcycles. Our latest creation, 'SM25,' marks our third-generation electric racing motorcycle. Building on the legacy of its predecessors, it incorporates significant advancements, reflecting our commitment to excellence and continuous improvement*

- Redesigned batteries to optimize fit within the GSX frame, lowering and centralizing the center of gravity.
- Upgraded motor and motor controller for improved performance.
- Engineered a new sub-frame to securely house batteries and provide optimal mounting points for the updated system.
- Enhanced cooling systems for all electrical components.
- Designed and manufactured PCB circuitry for relay and pump systems.
- Developed and evaluated two display designs, selecting and producing a sleek, effective unit.
- Fabricated tail fairing, gas tank cover, battery covers, and side fairings using wet lay-up techniques.



# Why Sponsor Us?

## Outreach

Your logo will feature on our electric race motorcycle, showcased at MotoStudent competitions, public events, and exhibitions, and remain part of our preserved legacy. Sponsor logos on team apparel worn by 60+ members and posts shared with our growing social media audience amplify your brand. Your products and services integrated into our motorcycle gain hands-on exposure with future engineers, showcased at events and competitions. Reach 42,000+ UBC students, thousands of event attendees, and frequent visitors to our workspace, associating your brand with innovation and sustainability.

## Recruiting

Partnering with UBC ThunderBikes offers direct access to some of UBC's most talented and driven students. Our interdisciplinary team includes experts in mechanical, electrical, and chemical engineering, as well as computer science and commerce. Sponsors have the opportunity to connect with team members for internships, recruitment events, and long-term career opportunities.

## Corporate Social Responsibility

Support UBC ThunderBikes and demonstrate your commitment to empowering the next generation of STEM innovators. Your contribution will directly impact sustainable industry development and student success.



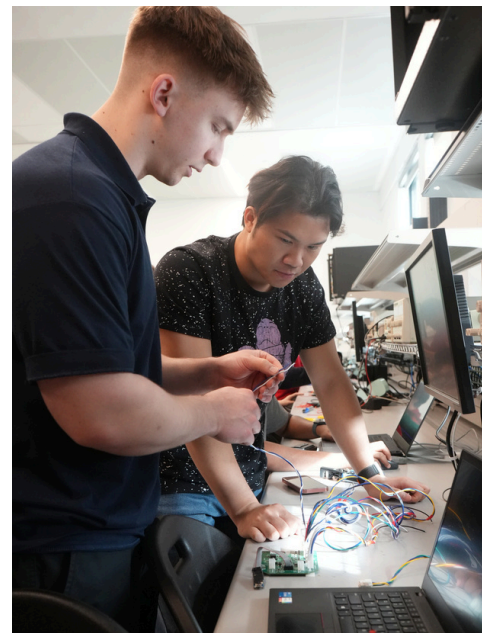
# Ways to Support Us

## Cash Contributions

Cash donations directly support our mission by covering costs for safety gear, raw materials, and key components. Your contributions keep us competitive and innovative, and may qualify for a charitable tax receipt through UBC.

## In-Kind Donations

Building a high-performance electric motorcycle depends on materials like lightweight metals and carbon fiber, as well as services like CNC machining and 3D printing. Contributions of these resources are vital to our success.



## Partnership

Want to share your product, service, or message? Partnering with us offers a unique opportunity to showcase your brand to an audience passionate about innovation, sustainability, and motorsports.



## Software

Design and simulation tools, including finite element analysis, CFD, and electrical simulation software, are critical for optimizing our bike's speed, efficiency, and reliability.



# Sponsorship Benefits

	<b>Diamond</b> \$20,000+	<b>Platinum</b> \$10,000+	<b>Gold</b> \$5,000+	<b>Silver</b> \$1,000+	<b>Bronze</b> \$500+
Invitation to Team Events	●	●	●	●	●
Logo on Website	●	●	●	●	●
Team Resume Access	●	●	●	●	
Social Media Recognition	●	●	●		
Logo on Apparel	●	●	●		
Vehicle Livery	●	●	●		
SM25 Naming Rights	●				

Have additional requests in mind? We'd be happy to discuss options like feature videos, recruitment events, marketing campaigns, and more. Contact us for details!





# Contact Us

Got questions or want to connect? Reach out through the channels below—we're excited to hear from you!



ubc-thunderbikes



UBCThunderBikes



ubc\_thunderbikes



ubcthunderbikes.com



thunderbikesdesign@gmail.com

